

ecomax™
by **HOBART**

GLASSWASHER / UNDERCOUNTER



LOW PRICE – HIGH PERFORMANCE

Ecomax G 404



Compact Glasswasher

Ecomax G/F 504



Glasswasher/Undercounter



Engineered and Made in Germany

- Solid design - made of stainless steel - guarantees reliable operation in daily use
- 100% audit of all machines
- Low noise and reduced heat radiation by the double walled front door
- Upper & lower rotating and separate wash & rinse arms for consistent results and lowest consumptions
- Robust door hinge



ecomaxTM
by **HOBART**

Easy to Use

- Simple / Clear
- Easy to clean - flat surface of panel
- Digital Temperature indication



Easy to Clean

- Rounded corners, smooth surfaces and the deep drawn rack track in combination with the self cleaning cycle make it easy to keep the wash chamber in clean hygienic condition
- To avoid food soil ending up in the wash water and blocking pump and nozzles the undercounter F 504 has a strainer to cover the wash tank



Benefits

- The machines operate with a temperature setting according European standards (EN/DIN 10534), but are also switchable to a temperature setting which can cover a 71°C thermolabel test according US NSF standards



- Short 60 s cycles allow to cover high capacity requirements*
- Cycle counter and possibility to activate a counter for controlling the capacity of an external water treatment or pre-filter

** recommend 400V and warm water supply. Under permanent load cycles times may extend if connected to 230V and cold water*

High Loading Capacity

The increased loading heights of the wash chambers allow to cover bigger pizza plates with the Ecomax F504 same as tall glasses with the Ecomax G404



308 mm loading



360 mm loading

Easy to Install and Service

- Flexible installation to 400/50/3N as well as single phase 230/50/1
- Independent from drain height at site by optional integral drain pump
- Independent from water supply pressure by integral rinse pressure pump (standard with most undercounter devices F504 / optional for glasswasher G 404)
- With or without integral chemical dispensers
- The electronic board has a USB-connection for fast upload of latest software and fastest service diagnostic





Optional Water Softening System

Limescale is a major cause of poor wash results and machine problems. Deposits build up on machine parts, in the boiler and on heating elements reducing efficiency, increasing running costs and causing failures. Detergent performance is also significantly reduced !

The optional integral water softening system provides soft water automatically and eliminates the downtime typically associated with other integral softener systems. The dishwasher, and in particular, the heating elements are maintained in optimum working order for efficient performance !

Based on the low water consumption of the machines the softener provides **high capacity:**

up to 550 cycles* with a single filling of salt

**For Ecomax G404 at 10° dH water hardness, at 20° the capacity is ~300 cycles, at 30° ~ 160 cycles.*

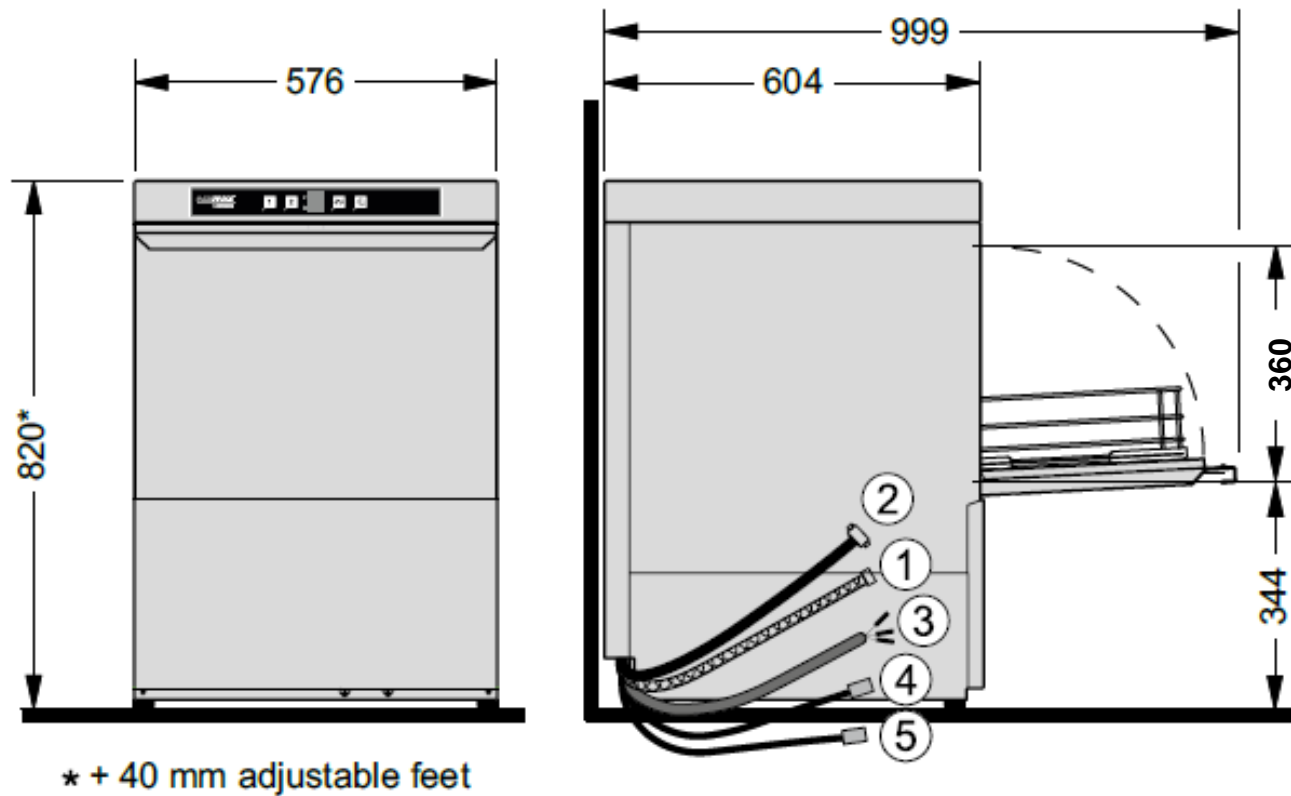
	Ecomax G 404	Ecomax G/F 504
Racks/h	60	60
Cycle times	60/120 s	60/150 s
Wash tank	10 l	25 l
Water consumpt.	2 l/cycle	2.3 l/cycle
Total load	2.1 (3.9* / 5.8**) kW	5.9 (4.1 / 2.2)*** kW
Voltage (factory setting)	230/50/1	400/50/3N

* With 20 A instead of standard 10 A

** With 400/50/3N

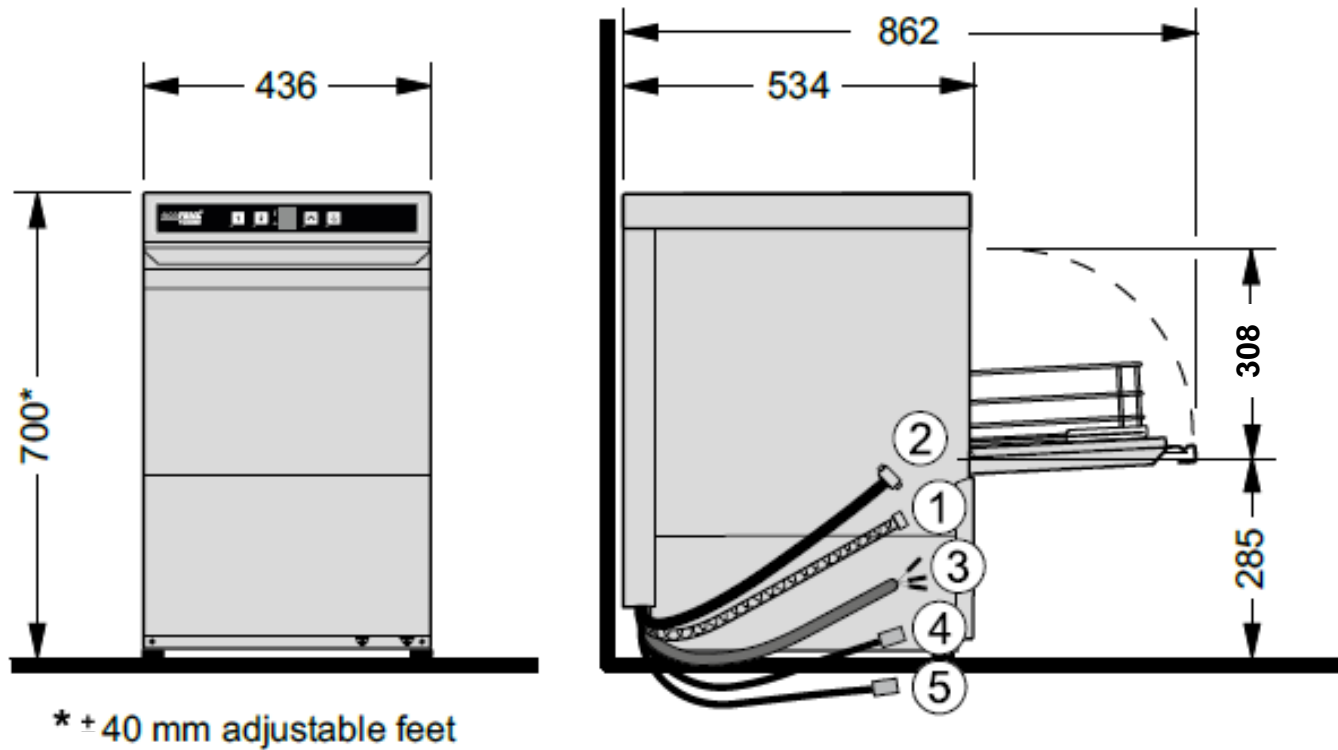
*** With 230/50/1 and 20 / 10 A

Undercounter F 504



Rack size 500x500mm

Compact Glasswasher G 404



|||||. 300x300 |||||
max. 390x390 mm
at level of rack track

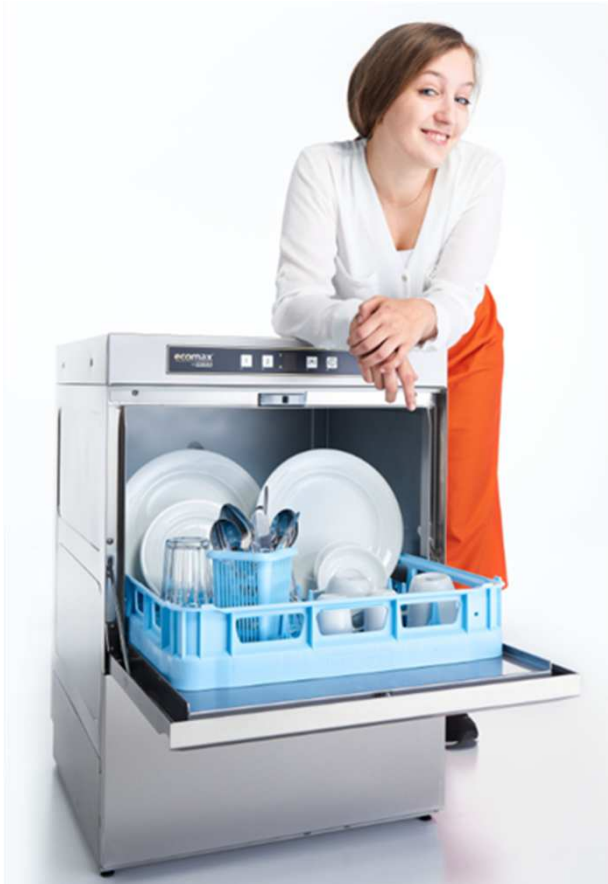
Racks

A variety of racks ensures to cover all kinds of customer requirements

e.g.

- Glass racks with 4 or 3 rows
- Flat rack for bigger glasses
- “Bistro rack” for universal use





Any Questions ?



LOW PRICE – HIGH PERFORMANCE